



## TECHNICAL DATA

## FREEDOM® RESIDENTIAL HORIZONTAL SIDEWALL SPRINKLER VK484 (K4.2)

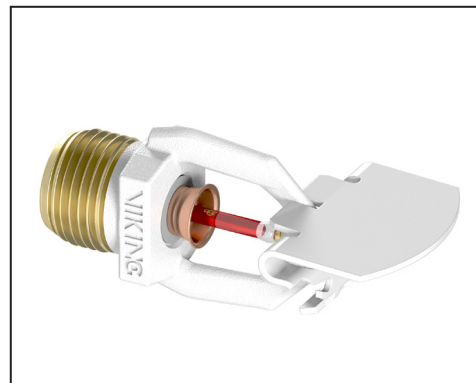
The Viking Corporation, 210 N Industrial Park Drive, Hastings MI 49058

Telephone: 269-945-9501 Technical Services: 877-384-5464 Fax: 269-818-1680 Email: techsvcs@vikingcorp.com

Visit the Viking website for the latest edition of this technical data page [www.vikinggroupinc.com](http://www.vikinggroupinc.com)

### 1. DESCRIPTION

Viking Freedom® Residential Horizontal Sidewall Sprinkler VK484 is a small, thermosensitive, glass-bulb residential sprinkler available in several different finishes and temperature ratings to meet varying design requirements. The Electroless Nickel PTFE (ENT) coating has been investigated for installation in corrosive atmospheres and is cULus Listed as corrosion resistant as indicated in the Approval Chart. The sprinkler orifice design, with a K-factor of 4.2, allows efficient use of available water supplies for the hydraulically designed fire-protection system. The glass bulb operating element and special deflector characteristics meet the challenges of residential sprinkler standards.



**WARNING:** Cancer and Reproductive Harm-  
[www.P65Warnings.ca.gov](http://www.P65Warnings.ca.gov)

### 2. LISTINGS AND APPROVALS

 **cULus Listed:** Category VKKW

Refer to the Approval Chart and Design Criteria for cULus Listing requirements that must be followed.

### 3. TECHNICAL DATA

#### Specifications:

Available since 2011.

Minimum Operating Pressure: Refer to the Approval Chart.

Maximum Working Pressure: 175 psi (12 bar). Factory tested hydrostatically to 500 psi (34.5 bar).

Thread size: 1/2" (15 mm) NPT

Nominal K-Factor: 4.2 U.S. (57 metric†)

† Metric K-factor measurement shown is in Bar. When pressure is measured in kPa, divide the metric K-factor shown by 10.0.

Glass-bulb fluid temperature rated to -65 °F (-55 °C)

Overall Length: 3" (76 mm)

#### Material Standards:

Frame Casting: QM Brass

Deflector: Brass UNS-C23000

Bulb: Glass, nominal 3 mm diameter

Belleville Spring Sealing Assembly: Nickel Alloy, coated on both sides with Polytetrafluoroethylene (PTFE)

Compression Screw: Brass UNS-C36000

Pip Cap and Insert Assembly: Copper UNS-C11000 and Stainless Steel UNS-S30400

Pip Cap Attachment: Brass UNS-C36000

For ENT coated sprinklers: Belleville spring - Exposed, Screw and Pipcap - ENT plated.

**Ordering Information:** (Also refer to the current Viking price list.)

**Sprinkler:** Base Part No. 16240

Order Sprinkler VK484 by first adding the appropriate suffix for the sprinkler finish and then the appropriate suffix for the temperature rating to the sprinkler base part number.

Finish Suffix: Brass = A, Chrome = F, White Polyester = M-W, Black Polyester = M-B, and ENT = JN

Temperature Suffix: 155 °F (68 °C) = B, 175 °F (79 °C) = D

For example, sprinkler VK484 with a Brass finish and a 155 °F (68 °C) temperature rating = Part No. 16240AB.

#### Available Finishes And Temperature Ratings:

Refer to Table 1.

**Accessories:** (Also refer to the Viking website.)

#### Sprinkler Wrenches:

A. Standard Wrench: Part No. 21475MB (available since 2017)

B. Wrench for recessed sprinklers: Part No. 13655WB†† (available since 2006)

††A 1/2" ratchet is required (not available from Viking).

#### Sprinkler Cabinets:

A. Six-head capacity: Part No. 01724A (available since 1971)

B. Twelve-head capacity: Part No. 01725A (available since 1971)

	<b>TECHNICAL DATA</b>	<b>FREEDOM® RESIDENTIAL HORIZONTAL SIDEWALL SPRINKLER VK484 (K4.2)</b>
-----------------------------------------------------------------------------------	-----------------------	--------------------------------------------------------------------------------

The Viking Corporation, 210 N Industrial Park Drive, Hastings MI 49058  
 Telephone: 269-945-9501 Technical Services: 877-384-5464 Fax: 269-818-1680 Email: techsvcs@vikingcorp.com  
 Visit the Viking website for the latest edition of this technical data page [www.vikinggroupinc.com](http://www.vikinggroupinc.com)

**4. INSTALLATION**

Refer to appropriate NFPA Installation Standards.

**5. OPERATION**

During fire conditions, the heat-sensitive liquid in the glass bulb expands, causing the glass to shatter, releasing the pip cap and sealing spring assembly. Water flowing through the sprinkler orifice strikes the sprinkler deflector, forming a uniform spray pattern to extinguish or control the fire.

**6. INSPECTIONS, TESTS AND MAINTENANCE**

Refer to NFPA 25 for Inspection, Testing and Maintenance requirements.

**7. AVAILABILITY**

The Viking Model VK484 Sprinkler is available through a network of domestic and international distributors. See The Viking Corporation web site for the closest distributor or contact The Viking Corporation.

**8. GUARANTEE**

For details of warranty, refer to Viking's current list price schedule or contact Viking directly.

**TABLE 1: AVAILABLE SPRINKLER TEMPERATURE RATINGS AND FINISHES**

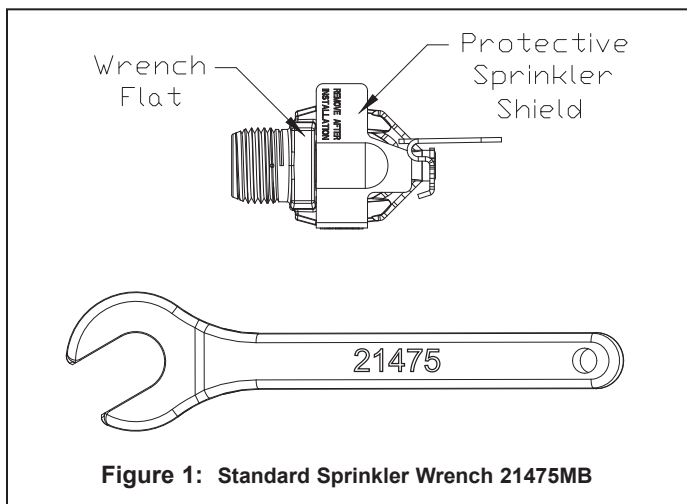
Sprinkler Temperature Classification	Sprinkler Nominal Temperature Rating <sup>1</sup>	Maximum Ambient Ceiling Temperature <sup>2</sup>	Bulb Color
Ordinary	155 °F (68 °C)	100 °F (38 °C)	Red
Intermediate	175 °F (79 °C)	150 °F (65 °C)	Yellow

**Sprinkler Finishes:** Brass, Chrome, White Polyester, Black Polyester, and ENT

**Corrosion Resistant Coatings<sup>3</sup>:** ENT

**Footnotes**

- <sup>1</sup> The sprinkler temperature rating is stamped on the deflector.
- <sup>2</sup> Based on NFPA-13. Other limits may apply, depending on fire loading, sprinkler location, and other requirements of the Authority Having Jurisdiction. Refer to specific installation standards.
- <sup>3</sup> The corrosion resistant coatings have passed the standard corrosion test required by the approving agencies indicated in the Approval Chart. These tests cannot and do not represent all possible corrosive environments. Prior to installation, verify through the end-user that the coatings are compatible with or suitable for the proposed environment. For ENT coated sprinklers, the waterway is coated. Note that the spring is exposed on sprinklers with ENT coating.



**Figure 1: Standard Sprinkler Wrench 21475MB**



## TECHNICAL DATA

## FREEDOM® RESIDENTIAL HORIZONTAL SIDEWALL SPRINKLER VK484 (K4.2)

The Viking Corporation, 210 N Industrial Park Drive, Hastings MI 49058  
 Telephone: 269-945-9501 Technical Services: 877-384-5464 Fax: 269-818-1680 Email: techsvcs@vikingcorp.com  
 Visit the Viking website for the latest edition of this technical data page www.vikinggroupinc.com

### Approval Chart Viking VK484, 4.2 K-Factor Residential Horizontal Sidewall Sprinkler

For systems designed to NFPA 13D or NFPA 13R. For systems designed to NFPA 13, refer to the design criteria. For Ceiling types refer to NFPA 13, 13R or 13D current editions

Sprinkler Base Part Number <sup>1</sup>	SIN	NPT Thread Size		Nominal K-Factor		Maximum Water Working Pressure	Overall Length					
		Inches	mm	U.S.	metric <sup>2</sup>		Inches	mm				
16240	VK484	1/2	15	4.2	57	175 psi (12 bar)	3	76				
Max. Coverage Area <sup>4</sup> Width X Length Ft. X Ft. (m X m)	Max. Spacing Ft. (m)	Ordinary Temp Rating (155 °F/68 °C)		Intermediate Temp Rating (175 °F/79 °C)		Top of Deflector to Ceiling	Installation Type	Listings and Approvals <sup>3</sup>		Minimum Spacing Ft. (m)		
		Flow <sup>4</sup> GPM (L/min)	Pressure <sup>4</sup> PSI (bar)	Flow <sup>4</sup> GPM (L/min)	Pressure <sup>4</sup> PSI (bar)			cULus <sup>5</sup>	NYC			
12 X 12 (3.7 X 3.7)	12 (3.7)	13 (49.2)	9.6 (0.66)	13 (49.2)	9.6 (0.66)	4 to 6 inches	Standard surface-mounted escutcheons or recessed with the Micromatic® Model E-1, E-2, E-3, or G-1 Recessed Escutcheon	See Footnotes 7 and 9.	See Footnote 6	8 (2.4)		
14 X 14 (4.3 X 4.3)	14 (4.3)	14 (53.0)	11.1 (0.77)	15 (56.8)	12.8 (0.88)							
16 X 16 (4.9 X 4.9)	16 (4.9)	16 (60.6)	14.5 (1.00)	17 (64.4)	16.4 (1.13)							
16 X 18 (4.9 X 5.5)	16 (4.9)	19 (71.9)	20.5 (1.41)	19 (71.9)	20.5 (1.41)							
16 X 20 (4.9 X 6.1)	16 (4.9)	22 (83.3)	27.4 (1.89)	22 (83.3)	27.4 (1.89)							
12 X 12 (3.7 X 3.7)	12 (3.7)	14 (53.0)	11.1 (0.77)	14 (53.0)	11.1 (0.77)	6 to 12 inches		Standard surface-mounted escutcheons or recessed with the Micromatic® Model E-1, E-2, E-3, or G-1 Recessed Escutcheon	See Footnotes 7 and 9.		See Footnote 6	8 (2.4)
14 X 14 (4.3 X 4.3)	14 (4.3)	16 (60.6)	14.5 (1.00)	16 (60.6)	14.5 (1.00)							
16 X 16 (4.9 X 4.9)	16 (4.9)	18 (68.1)	18.4 (1.27)	18 (68.1)	18.4 (1.27)							
16 X 18 (4.9 X 5.5)	16 (4.9)	20 (75.7)	22.7 (1.56)	20 (75.7)	22.7 (1.56)							
16 X 20 (4.9 X 6.1)	16 (4.9)	25 (94.6)	35.4 (2.44)	25 (94.6)	35.4 (2.44)							

#### Footnotes

- <sup>1</sup> Part number shown is the base part number. For complete part number, refer to Viking's current price schedule.
- <sup>2</sup> Metric K-factor measurement shown is when pressure is measured in Bar. When pressure is measured in kPa, divide the metric K-factor shown by 10.0.
- <sup>3</sup> This chart shows the listings and approvals available at the time of printing. Other approvals may be in process. Check with the manufacturer for any additional approvals. Refer also to Design Criteria.
- <sup>4</sup> For areas of coverage smaller than shown, use the "Flow" and "Pressure" for the next larger area listed. Flows and pressures listed are per sprinkler.
- <sup>5</sup> Listed by Underwriter's Laboratories, Inc. for use in the U.S. and Canada.
- <sup>6</sup> Meets New York City requirements, effective July 1, 2008.
- <sup>7</sup> Approved Finishes are: Brass, Chrome, White Polyester, and Black Polyester <sup>8</sup>
- <sup>8</sup> Other paint colors are available on request with the same cULus listings as the standard finish colors.
- <sup>9</sup> Approved finish is Electroless Nickel PTFE (ENT). ENT is cULus Listed as corrosion resistant. ENT is available with standard surface-mounted escutcheons or the Micromatic Model E-1 Recessed Escutcheon.



## TECHNICAL DATA

## FREEDOM® RESIDENTIAL HORIZONTAL SIDEWALL SPRINKLER VK484 (K4.2)

The Viking Corporation, 210 N Industrial Park Drive, Hastings MI 49058  
 Telephone: 269-945-9501 Technical Services: 877-384-5464 Fax: 269-818-1680 Email: techsvcs@vikingcorp.com  
 Visit the Viking website for the latest edition of this technical data page [www.vikinggroupinc.com](http://www.vikinggroupinc.com)

### DESIGN CRITERIA

(Also refer to the Approval Chart.)

#### cULus Listing Requirements:

When using Viking Residential Sprinkler VK484 for systems designed to NFPA 13D or NFPA 13R, apply the listed areas of coverage and minimum water supply requirements shown in the Approval Chart.

For systems designed to NFPA 13: The number of design sprinklers is to be the four contiguous most hydraulically demanding sprinklers. The minimum required discharge from each of the four sprinklers is to be the greater of the following:

- The flow rates given in the Approval Chart for NFPA 13D and NFPA13R applications for each listed area of coverage, or
- Calculated based on a minimum discharge of 0.1 gpm/sq. ft. over the "design area" in accordance with sections 8.5.2.1 or 8.6.2.1.2 of NFPA 13.
- Minimum distance between residential sprinklers: 8 ft. (2.4 m).
- The VK484 horizontal sidewall sprinkler deflector shall be located a minimum of 1-3/4" (44.5 mm) and a maximum of 6" (152 mm) from the wall on which it is installed.

**DEFLECTOR POSITION:** Install Viking Residential Horizontal Sidewall Sprinkler VK484 with the leading edge of the deflector oriented parallel with the ceiling and the sprinkler frame arms oriented perpendicular to the ceiling. Refer to the Approval Chart for the required distance between the top of the deflector and the ceiling.

**IMPORTANT:** Always refer to Bulletin Form No. F\_091699 - Care and Handling of Sprinklers. Also refer to Form No. F\_080614 for general care, installation, and maintenance information. Viking sprinklers are to be installed in accordance with the latest edition of Viking technical data, the appropriate standards of NFPA and any other similar Authorities Having Jurisdiction, and also with the provisions of governmental codes, ordinances, and standards, whenever applicable. Final approval and acceptance of all residential sprinkler installations must be obtained from the Authorities Having Jurisdiction.

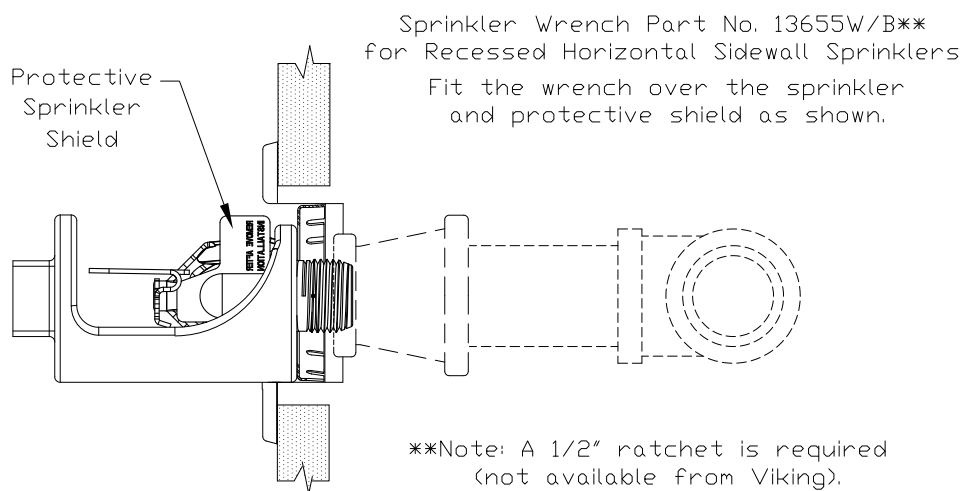


Figure 2: Wrench 13655W/B for Recessed Sprinkler VK484



**TECHNICAL DATA**

**FREEDOM® RESIDENTIAL  
HORIZONTAL SIDEWALL  
SPRINKLER VK484 (K4.2)**

The Viking Corporation, 210 N Industrial Park Drive, Hastings MI 49058  
 Telephone: 269-945-9501 Technical Services: 877-384-5464 Fax: 269-818-1680 Email: techsvcs@vikingcorp.com  
 Visit the Viking website for the latest edition of this technical data page www.vikinggroupinc.com

